

# Chameleon Modular Acoustics



Mounting guide

# Congratulations with your purchase!

## Package contents - per panel

	Magnetic mounting strips	Screws	Dowels	Self adhesive spacers
<b>11208.0x8 - 118 x 44 cm</b>	4	8	8	4
<b>11208.0x9 - 118 x 88 cm</b>	7	14	14	6
<b>11208.0x4 - 198 x 49 cm</b>	6	12	12	7
<b>11208.0x5 - 198 x 98 cm</b>	12	24	24	8



- The wall must be smooth (no bumps or dents) and free of obstacles.
- Magnetic surface of the strip should be completely in contact with back of the PET -felt panel to have it's full holding power. Always mount magnets in the same flat plane. With bumpy walls use spacers (available in most D.I.Y. shops) to put the magnets in the same plane. See image 1.
- Check flatness between strips by using a level. Adjust with spacers and repeat check until all surface are in the same plane. See image 2.
- Provided screws and plugs are suited for solid stone walls. In case of other walls make sure you choose suited mounting materials! Keep in mind that the screw head should fit deep enough into the steel plate, because of the magnet!

Image 2

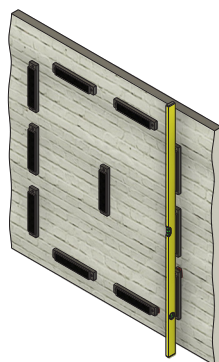
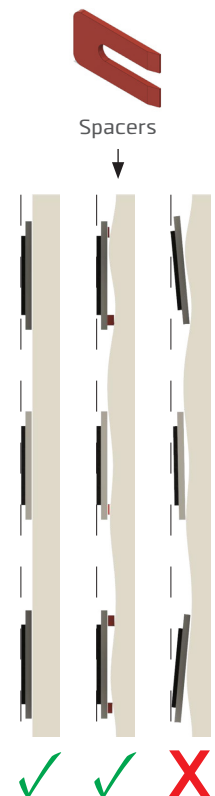


Image 1  
- Zijaanzicht -

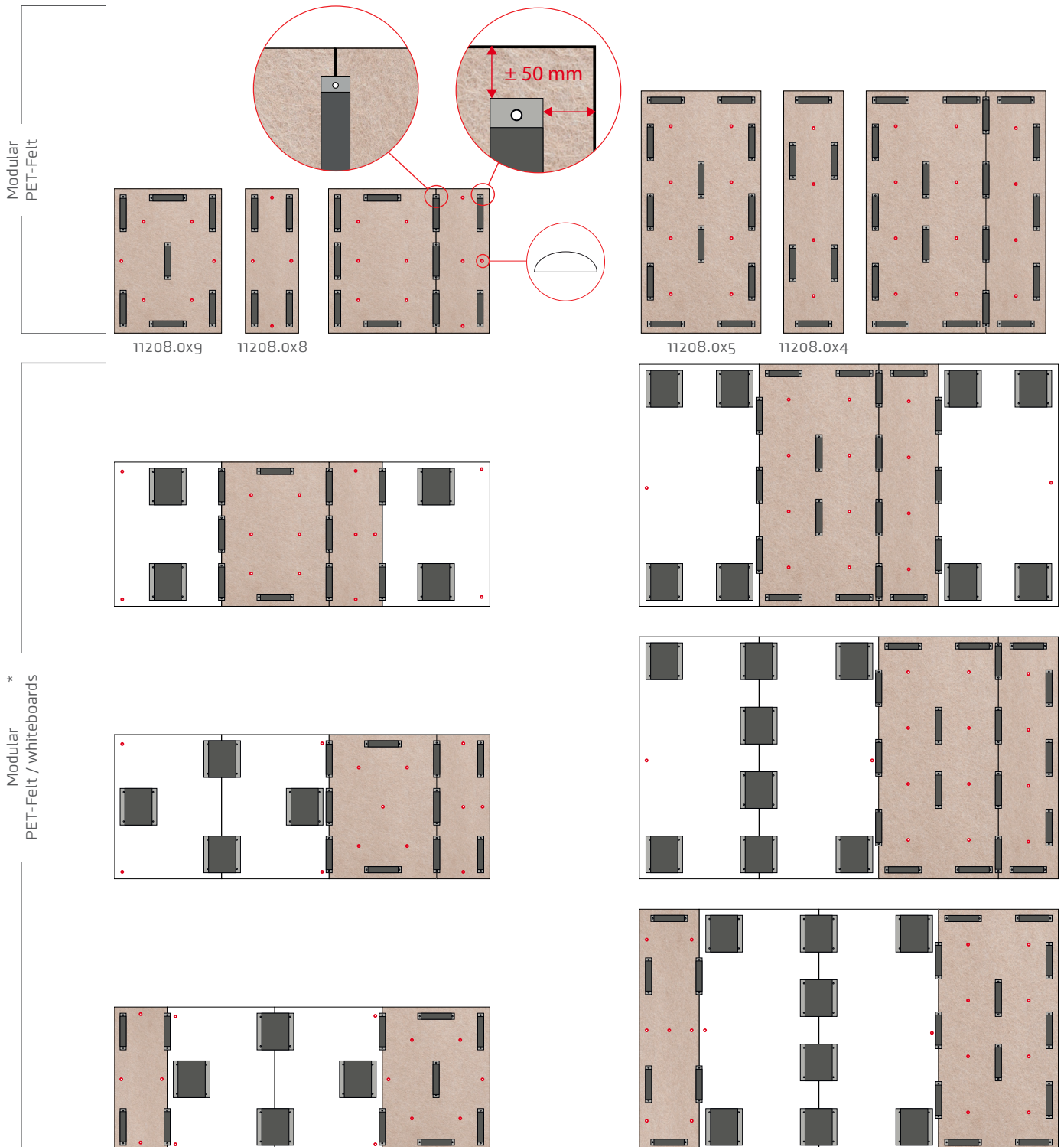
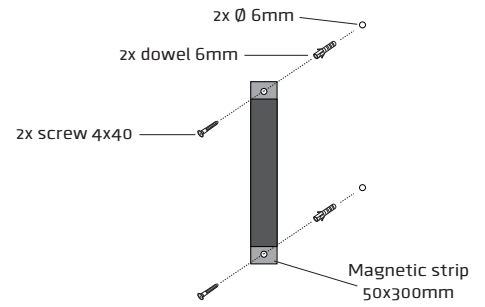
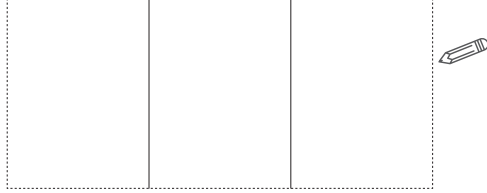


# Placement of magnetic strips



Start by marking out the positioning of the panels on the back wall. Ensure that the seams have been fully marked out. This allows the strips to be fixed in the correct position. The strips on the seams are key to ensure a smooth transition.

Marking panels



\* When used in combination with whiteboard panels, please refer to the assembly instructions 'Chameleon Modular' (included with the Chameleon Modular whiteboards).

**Smit Visual B.V.**  
Spaarpot 120-122  
5667 KZ Geldrop  
The Netherlands

**T** +31(0)40 - 280 85 00  
**F** +31(0)40 - 286 76 15  
**E** [info@smit-visual.nl](mailto:info@smit-visual.nl)  
**W** [chameleonwriting.com](http://chameleonwriting.com)

